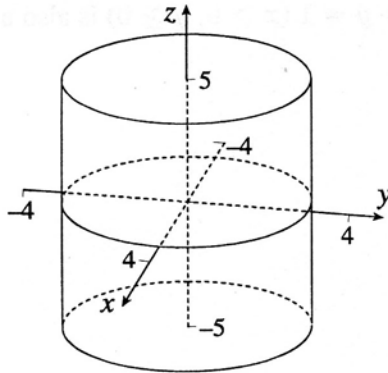


Group Work 1, Section 9.1

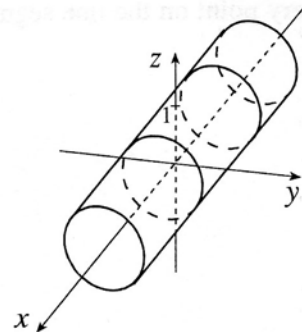
Working with Surfaces in Three-Dimensional Space (Solutions)

1. $x^2 + y^2 = 3^2$



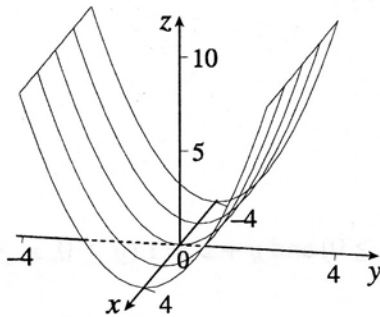
This is a right circular cylinder of radius 3 with axis the z -axis.

2. $y^2 + z^2 = 1$



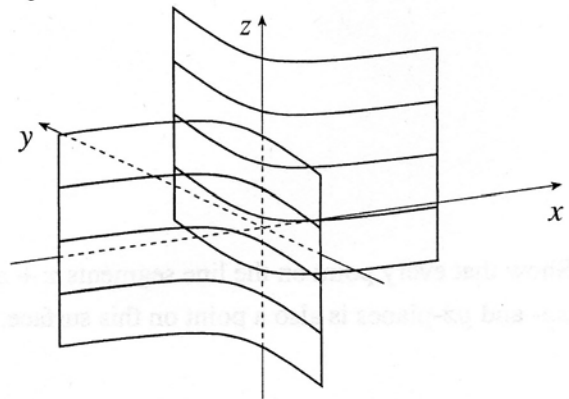
This is a right circular cylinder of radius 1 with axis the x -axis.

3. $z = y^2$



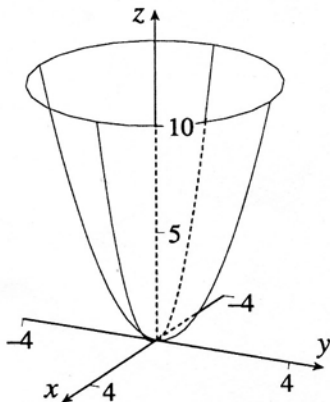
This is a parabolic cylinder parallel to the x -axis.

4. $xy = 1$



This is a hyperbolic cylinder parallel to the z -axis.

5. $x^2 + y^2 = z$



This is a paraboloid opening upward.